



BARD & BRAZIER



MADE IN ENGLAND

D-RAIL

CARSTEN

LA FAYETTE  
&  
ZINGO SULTAN

ELECTRIC FLOATING TOWEL WARMER

INSTALLATION/SERVICING GUIDE  
(PLEASE RETAIN FOR FUTURE USE)

# IMPORTANT INFORMATION

## **INSPECTION**

Every effort has been taken to ensure that your product is delivered complete and without damage. Your product is thoroughly inspected before being packaged and despatched to you. However, your product may have been damaged during transit. For this reason, upon delivery, it is important to inspect the product and notify your supplier of any damage immediately. Failure to do so may invalidate your warranty.

The supply cable cannot be replaced. If the cord is damaged please notify your supplier. No warranty costs will be considered for the product or labour relating to the installation of damaged product.

**DO NOT INSTALL A  
PRODUCT THAT  
IS RECEIVED DAMAGED**

## **PROFESSIONAL INSTALLATION**

The product should be installed by a fully qualified professional electrical engineer and in compliance with local wiring regulations. After installation, the mains cable shall be completely hidden from view.

The disconnect must be an all-pole disconnection (both supply conductors) with contact separation of at least 3mm in the fixed wiring.

## **WARRANTY**

Your product is guaranteed against faulty manufacture and materials for a period of 5 years from the original installation date. Warranty is subject to correct installation and maintenance and is limited to the product only, not to installation and removal costs.

# IMPORTANT INFORMATION

## **PRODUCT USE**

Your towel warmer has substantial construction properties and is made using the finest de-zincated brass. It has been designed for continuous use and can be used for towels and some items of clothing. Although not intended as a room heater, your towel warmer will contribute a small amount of heat when used in small bathrooms or cloak rooms with low heat losses.

This appliance can be used by children aged from 8 years and above and persons with reduced physical, sensory or mental capabilities or lack of experience and knowledge if they have been given supervision or instruction concerning use of the appliance in a safe way and understand the hazards

involved. Children shall not play with the appliance. Cleaning and user maintenance shall not be made by children without supervision.

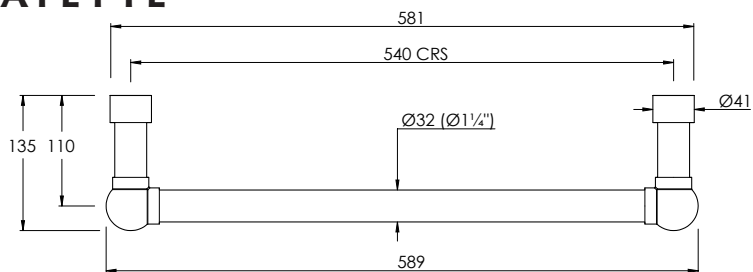
## **PRODUCT CARE**

To retain the appearance of your towel warmer we recommend an occasional wipe with a damp cloth, or alternatively, a damp cloth with a small amount of soap. When clean, dry and buff with a clean soft duster, avoid excessive rubbing. Please make sure your towel warmer is switched off before commencing cleaning. If you have any questions please telephone the helpline number listed at the rear of this guide.

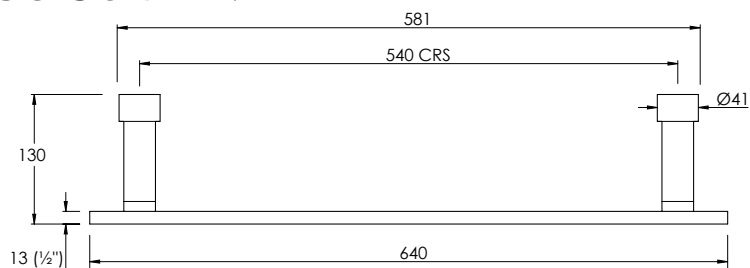
**DO NOT USE ABRASIVE  
CLEANING PRODUCTS  
WHICH CAN SCRATCH/  
DAMAGE THE SURFACE  
FINISH.**

# DIMENSIONS

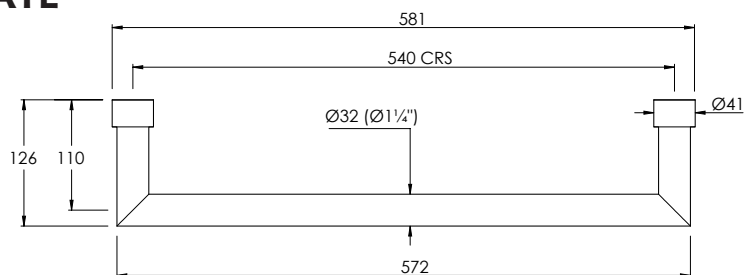
## LA FAYETTE



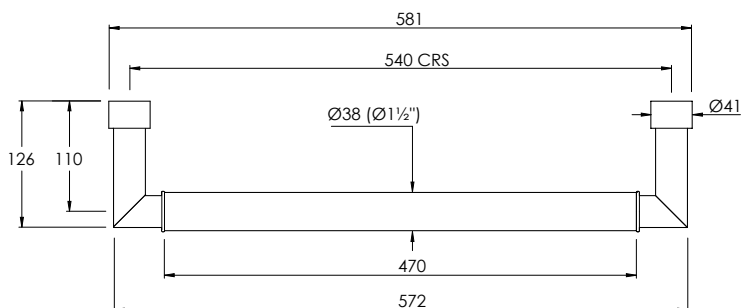
## ZINGO SULTAN



## D-RAIL



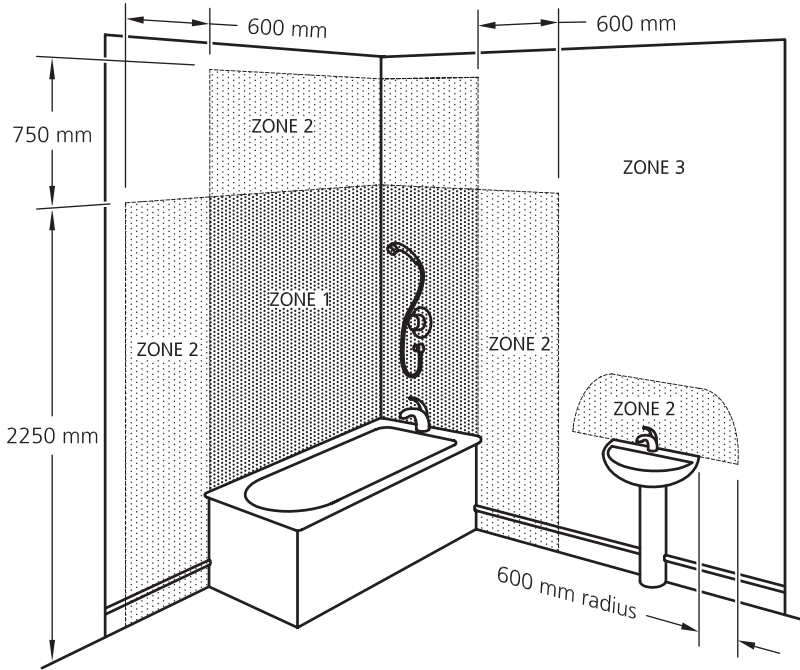
## CARSTEN



# SUGGESTED LOCATIONS

## SAFETY NOTICE

The towel rail(s) are IPX6 rated and they can be located in bathroom zones 1-3.

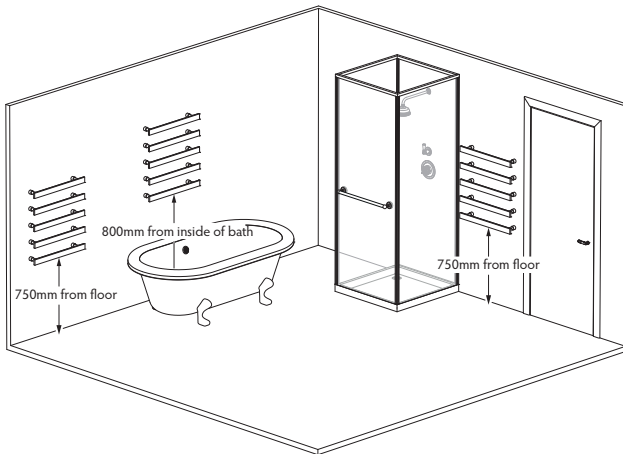


# SUGGESTED LOCATIONS

When choosing a location for the towel warmer ensure that there is sufficient clearance to doors and shower cubicles etc.

**IMPORTANT:** When placing a towel rail(s) behind a door or next to a shower enclosure ensure that the doors do not open onto the towel warmer as this may damage both the doors and the towel warmer. Always ensure that the mounting surface is load bearing and a suitable structure to accept the product weight and fixings.

The below locations are intended as a guide. The 750mm and 800mm dimensions are also guides, but ensure that the towel rail(s) are easily accessible for an average height adult. Bathroom layout, the number of rails, size of towels and the height of the occupants should be taken into account when deciding upon the location of the towel warmer.



**WARNING:** In order to avoid a hazard for very young children, this appliance should be installed so that the lowest heated rail is at least 600mm above the floor.

# INSTALLATION

## **SAFETY NOTICE**

One person should be sufficient to lift the towel rail(s) components. If for any reason the weight of any components is considered too heavy then obtain assistance.

- When lifting always keep your back straight. Bend your legs and not your back.
- Avoid twisting at the waist. It is better to reposition your feet.
- Avoid upper body/top heavy bending.
- Always grip with the palm of the hand. Do not use the tips of fingers for support.
- Use gloves to provide additional grip.
- Always use assistance if required.

## **WARNING**

- When installing electric towel rail(s), the electric supply to the fused spur must be off.
- It is important to select suitable fixings for the mounting surfaces.
- Before drilling the mounting surfaces ensure that there are no hidden pipes or wiring.

# INSTALLATION

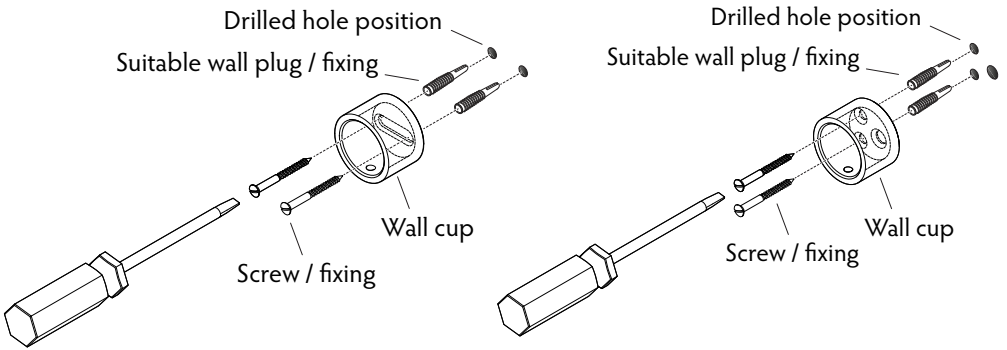
## **FITTING THE RAIL(S)**

1. Locate the towel warmer against the wall.
2. Use a spirit level to ensure that the towel warmer is level.
3. Using a pencil, lightly mark the location of the towel warmer.
4. Remove the wall cups from the ends of the towel warmer using a 3mm hexagonal key.
5. The wall cup for the cable connection has three holes in its rear face, the larger one being for the cable. Locate this wall cup onto the marked wall location ensuring the grub screw is at the bottom. Mark the hole centres.
6. Locate the remaining wall cup onto the wall ensuring the grub screw is at the bottom. Mark the location of the slot. We recommend that two hole centres are chosen along the length of the slot.
7. We recommend a drill bit no larger than Ø10mm is used for drilling the cable hole. Drill this hole first.

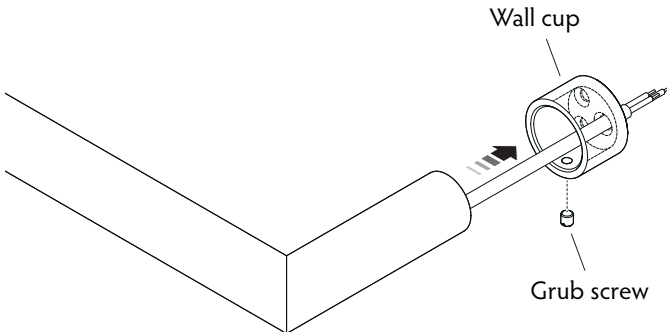


# INSTALLATION

- Using a suitable sized drill bit for the chosen fixings, drill the remaining four fixing holes.
- Secure the wall cups to the wall using suitable fixings.



- Offer the towel warmer to the wall cups, passing the cable through the drilled hole. Locate the towel warmer and tighten the grub screws using a 3mm hexagonal key.



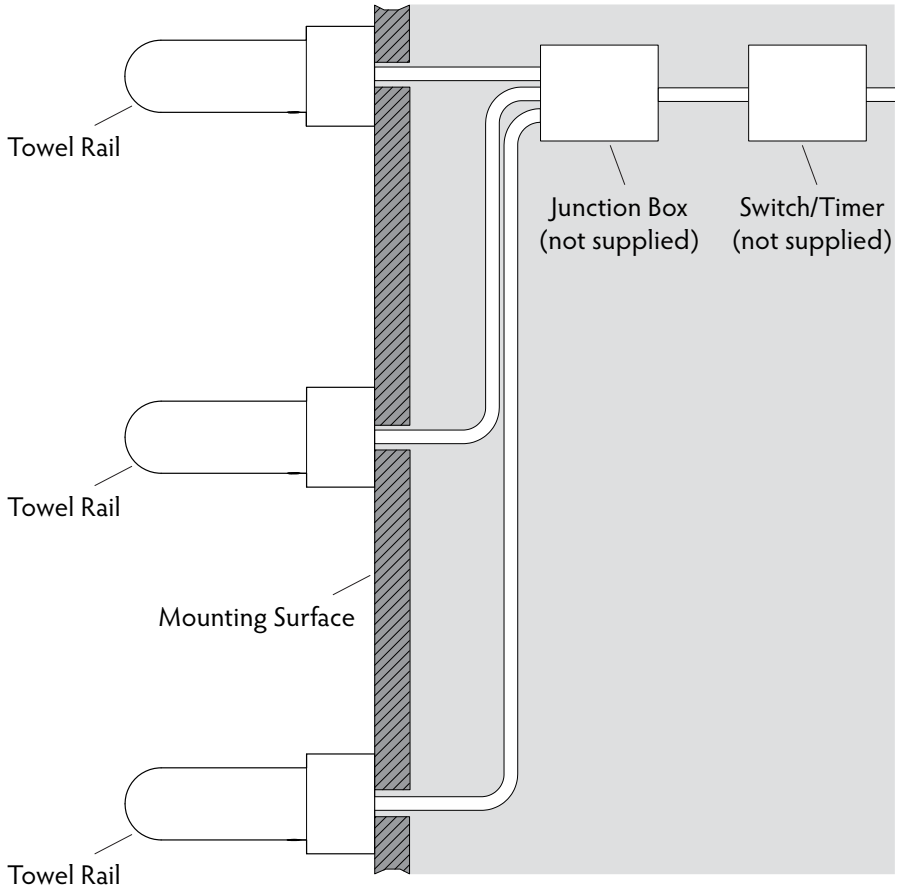
# INSTALLATION

## ELECTRICAL INSTALLATION

We recommend connection to an IP rated junction box and then wired to an on/off switch away from any water source.

A programmer/timer can be used to control the towel rail.

The towel rail is not fitted with an on/off switch and the heat setting is not adjustable.



# INSTALLATION

## **PRODUCT USE**

The towel rail(s) approximately takes 15 - 30 minutes to reach full operating temperature.

With no towels in place the normal surface temperature of the towel rail(s) is between 40°C and 55°C.

When towels are added, in effect insulating the rail, the surface temperature can rise to about 60°C.

HELPLINE TELEPHONE +44(0)121 270 2222



Please dispose of your packaging thoughtfully.



Plastic bags can be dangerous.

To avoid danger of suffocation keep bags and packaging away from babies and children.



BARD & BRAZIER



The use of trademarks, product design and artwork is subject to license or agreement with BARD & BRAZIER limited. The design registration, trademark registration, patents and copyrights are protected by law and the use or reproduction outside the terms of an agreement is prohibited.

The right to modify designs and dimensions is reserved.

E&OE

© BARD & BRAZIER LIMITED

MANUFACTURED IN ENGLAND

[www.bardbrazier.co.uk](http://www.bardbrazier.co.uk)